

LAB 023

EQUIPMENT LIST

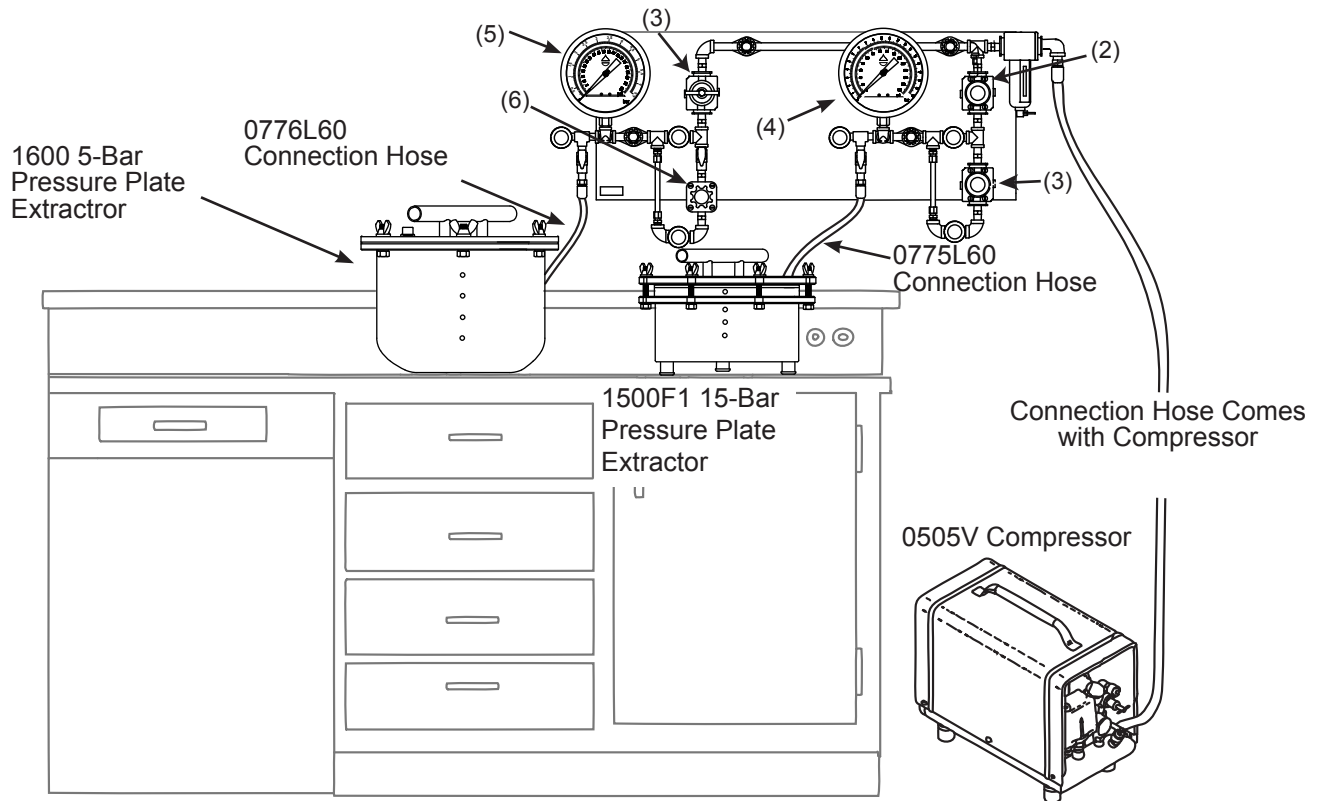
The 0700CG23 Manifold Incorporates:

February 2009

- (1) 0760G1 Air Filter
- (2) 0766P0250 Regulator, 10-250 psi
- (3) 0766P0150 Regulator, 5-150 psi, 2 each
- (4) 0780P0300, Test Gauge, 0-300 psi
- (5) 0780P0100, Test Gauge, 0-100 psi
- (6) 0765 Nullmatic Regulator, 1-60 psi

Lab 023 Setup is for the 1600 5-Bar Extractor and the 1500F1 15-Bar Extractor using the 0505V Compressor as a pressure source.

NOTE: If you wish to use a gas tank as a pressure source, refer to Lab 0523 Setup.



Equipment Ordering List with Normal Accessories:

- | | | |
|---|------------|--|
| 1 | 1500F1 | 15-Bar Pressure Plate Extractor (accepts 4 plates) |
| 4 | 0675B15M1 | 15 Bar Pressure Plate Cells |
| 1 | 1080G1 | PM Hinge |
| 1 | 0775L60 | Connecting Hose, 60" long |
| 8 | 1093 | Soil Sample Retaining Rings, per dozen |
| 4 | 0675B05M1 | 5 Bar Pressure Plate Cells |
| 1 | 1600 | 5 Bar Pressure Plate Extractor |
| 4 | 0675B01M3 | 1 Bar Pressure Plate Cells |
| 4 | 0675B03M1 | 3 Bar Pressure Plate Cells |
| 1 | 0776L60 | Connecting Hose, 60" long |
| 1 | 0700CG23F1 | Combination Manifold |
| 1 | 0505V | Compressor |

SOILMOISTURE EQUIPMENT CORP.

P.O. Box 30025, Santa Barbara, CA 93105 U.S.A.

Telephone 805-964-3525 - Fax No. 805-683-2189

Email: sales@soilmoisture.com - Web site: <http://www.soilmoisture.com>

