

INSTALLATION INSTRUCTIONS

Trase 1600 Software Installation

June 2002

HOW TO INSTALL YOUR NEW 1600 SOFTWARE EPROM

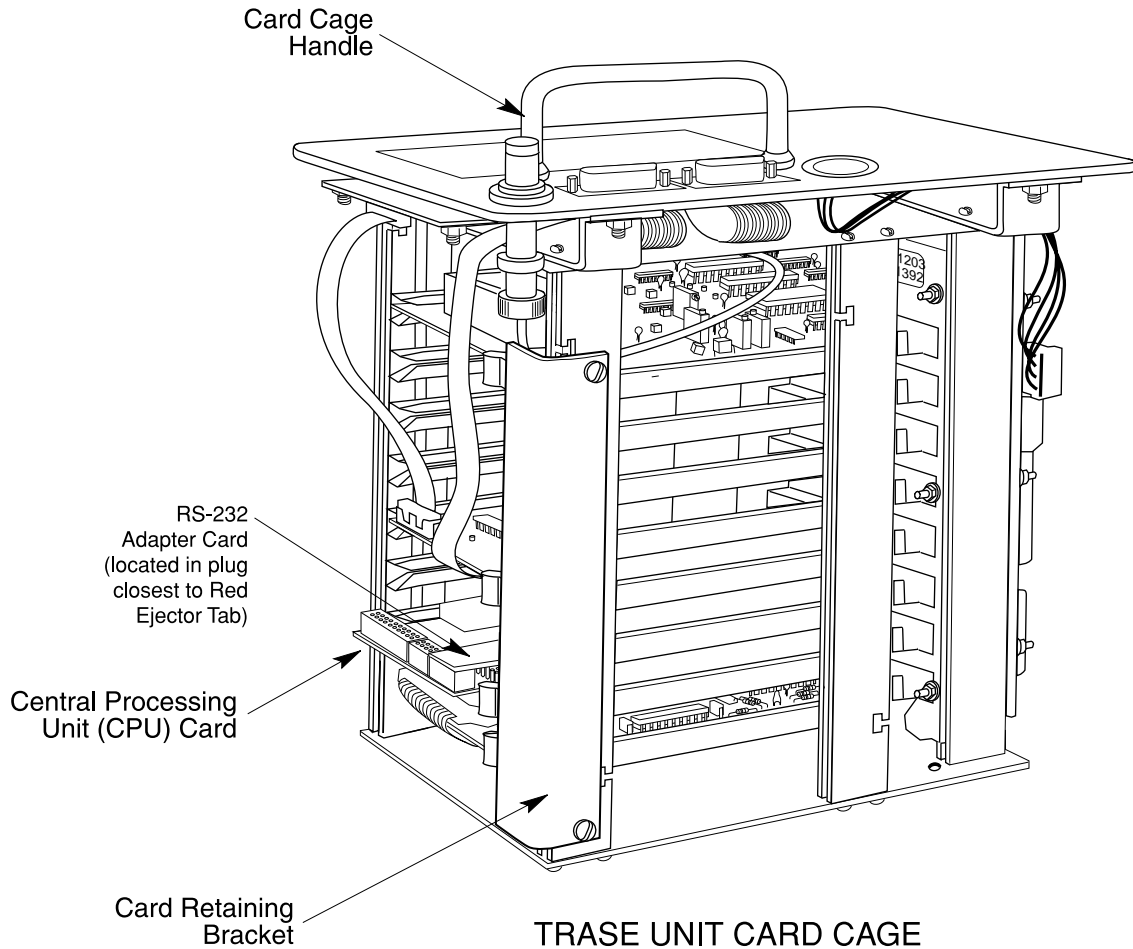


Fig. 1

Note: Before You Start!

Before installing your new 1600W software Eprom, be sure that you are using ESD (antistatic) protection. This should include an antistatic table mat and a grounding wrist strap. Improper antistatic protection may damage the Eprom.

Be sure that the power switch on your Trase unit is in the OFF position or remove the battery pack completely.

Tools You Will Need

In order to complete this installation, you will need a set of needle nose pliers, a small screwdriver, antistatic mat, and a grounding wrist strap.

SOILMOISTURE EQUIPMENT CORP.

P.O. Box 30025 Santa Barbara, CA 93130

Phone: (805) 964-3525 Fax (805) 683-2189

E-mail: sales@soilmoisture.com WEB: <http://www.soilmoisture.com>

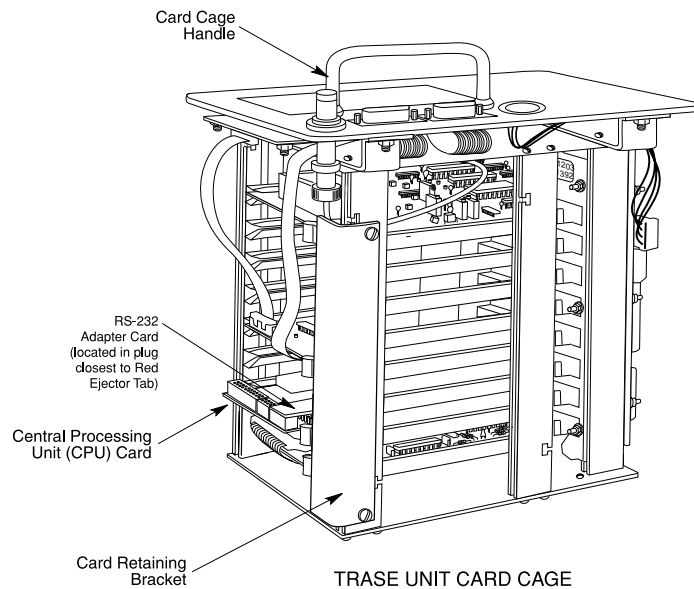


Fig. 2

Removing the Old Software Eprom

Step 1.

Set your Trase unit on a flat, antistatic surface. Remove the eight screws from the faceplate and set them aside. Grasp the card cage handle on the Trase faceplate and gently lift the card cage from the housing unit, rocking the card cage gently from side to side. The card cage is attached to the Trase housing with the power cable. Disconnect the power cable and set the Trase housing aside and place the card cage on the flat antistatic surface.

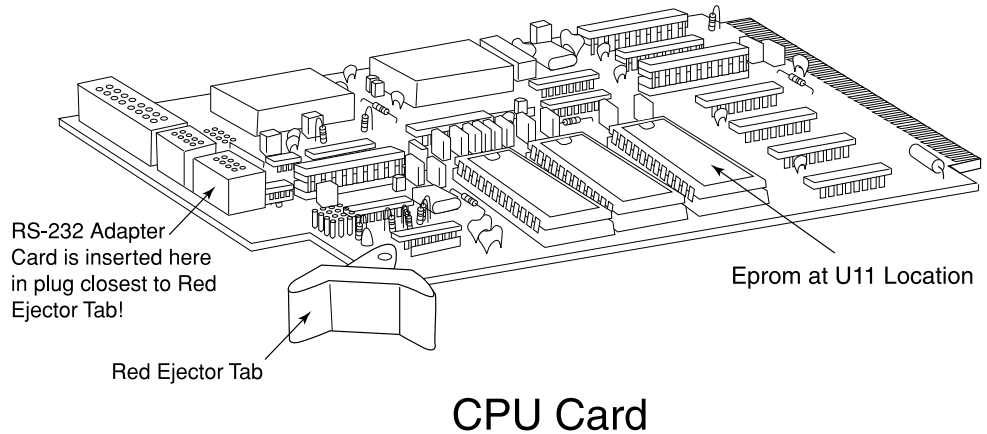
Step 2.

Turn the card cage so that the cards and their colored ejector tabs are facing you. Remove the Card Retaining Bracket (Fig. 2). Locate the CPU card (Fig. 2) - it has the RED Ejector Tab. Pull the red ejector tab to release the CPU card from the card cage. Slip the CPU card out approximately 1/2 inch and, using the small screwdriver, gently pry the RS-232 Adapter Card (Fig. 2) off the CPU card, noting its location (slot closest to the Red Ejector Tab) so that it can be reattached. Let the cable and Adapter Card dangle off to one side. Set the CPU card on the antistatic surface.

Step 3.

Now locate the U11 position on your CPU card (Fig. 3). Using the small screwdriver, gently pry off the current Eprom. Place the old Eprom on the antistatic surface where it cannot be damaged.

Fig. 3



Installing the New Software Eprom

Step 4.

Remove the new 1600 software Eprom from its protective packaging. With care, insert the new Eprom into the U11 socket on the CPU card. The Eprom has a small notch on one end. Be sure that the notch on the Eprom matches up with the corresponding notch on the PC board screening (yellow lines). Gently press down on the Eprom until it is properly seated.

Step 5.

Slide the CPU card back into its proper location in the card cage. Reattach the RS-232 Adapter Card that you disconnected in an earlier step, making sure that it is centered in and properly seated in the slot **closest** to the RED ejector tab. Once the RS-232 Adapter Card is reattached, push the CPU card back firmly into the card cage. You will feel the card “snap” and the red ejector tab will return to its original position.

Step 6.

Reattach the Card Retaining Bracket. Grasping the handle on the Trase faceplate firmly, hold the card cage up to reconnect the Power cable. Then return the card cage to the Trase housing, by gently rocking the card cage into the housing unit. Locate the eight screws you set aside earlier and secure the card cage to the Trase housing, screwing down to standard hand tightness.

Step 7.

Turn on the power switch, or reattach the Trase battery pack if you disconnected it, and turn on the unit. Note: when installing any new software on your Trase unit, Trase must be cold booted to utilize the new software. To cold boot the system, with the power switched on, press the ON/ENTER and ERASE/STORAGE buttons simultaneously.

Verifying Proper Software Installation

To verify the software Eprom was properly installed, scroll to the Setup Screen and look in the top right-hand corner of the screen. You should see the following software version: 6058C2-1600W.

If you see the proper software version on your screen, you are now ready to use your new 1600 software.

You should also verify that the RS-232 Adapter Card was properly inserted and communicating with the RS-232 bus using either your WinTrase software or another communication program.

Note: We suggest that you handle the old Eprom carefully in case you have need of them for any reason in the future. Store them properly in the anti-static packages that came with your new software and relabel the packaging.

Should you have any questions regarding installation of this software, please contact our technical sales department at any of the phone, fax or e-mail numbers listed below.

TRASE SCREEN CHANGES

Setup Screen Changes

Initial Start up Screen:
No changes.

Software version:
"6058C2-1600__" changed to "6058C2-1600W".

Length units:
Changed from "mm[cm]in ft" to "centimeters <->".

Place curser over "<->" and use  or  Key to select option: centimeters, inches, feet, or millimeters.

Moisture table:
Changed from "[standard]custom" to "BUN <->".

Place curser over "<->" and use  or  Key to select option:

BUN Label: Bur unco
BCT Label: Bur coat
FUN Label: Fld unco
FCT Label: Fld coat
SUN Label: Spl unco
SCT Label: Spl coat
CUN Label: Con unco
CCT Label: Con coat

Capture window:

Changed from "(nSecs):[10]20 40" to "10 nS <->"

Place cursor over "<->" and use  or  Key to select option:
10, 20, or 40 nS

T offset:

"0.00" New Addition, Used for Timing Offset in SUN and SCT tables only.

Place cursor over "0.00" and enter a value up to 9.0 nS

Storage:

Changed from "[1]2 3 4" to "1<->".

Place cursor over "<->" and use  or  Key to select option:
1, 2, 3, or 4

Baud:

"300 1200 2400 4800[9600]19K 38K" changed to Baud Rate: "9600 <->"

Place cursor over "<->" and use  or  Key to select option:
300, 1200, 2400, 4800, 9600, 19200, or 38400

Stop bits:

Changed from "[1]2" to "1 <->"

Place cursor over "<->" and use  or  Key to select option:
1 or 2

Modem:

New Item "Yes <->"

Place cursor over "<->" and use  or  Key to select option:
Yes or None

Parity:

Changed from "[none]even odd" to "none <->".

Place cursor over "<->" and use  or  Key to select option:
none, even, or odd

Flow control:

Changed from "none [xon/off]" to "xon/off <->"

Place cursor over "<->" and use  or  Key to select option:
none or xon/off

SENDing format:

Changed from “[printer]1-2-3 commas” to “commas <->”

Place curser over “<->” and use  or  Key to select option:
printer, 1-2-3, or commas

Auto shutoff:

Changed from “(secs): 20 60[120]240” to “120 secs <->”;

Place curser over “<->” and use  or  Key to select option:
20, 60, 120, or 240

Measure Screen Changes

Waveguide type:

Changed from “Connector[Buriable]” to “Buriable <->”

Place curser over “<->” and use  or  Key to select option:
Buriable or Connector

Moisture table:

Changed from “[Standard]Custom” to “BUN <->”

Place curser over “<->” and use  or  Key to select option:

BUN Bur unco
BCT Bur coat
FUN Fld unco
FCT Fld coat
SUN Spl unco
SCT Spl coat
CUN Con unco
CCT Con coat

Storage:

Changed from “[1]2 3 4” to “1<->”.

Place curser over “<->” and use  or  Key to select option:
1, 2, 3, or 4

Autolog Screen Changes

Save:

Changed from “[Readings]Graphs” to “Readings <->”

Place curser over “<->” and use  or  Key to select option:
Readings or Graphs

Sequence Switch:

Changed from “[No] Yes” to “No <->”

Place cursor over "<->" and use  or  Key to select option:
No or Yes

TDR Screen Changes No Changes

Data Screen Changes

Storage: Changed from "[1]2 3 4" to "1<->".

Place cursor over "<->" and use  or  Key to select option:
1, 2, 3, or 4

Search: Changed from "[No] Tag Date" to "No <->"

Place cursor over "<->" and use  or  Key to select option:
No, Tag, or date

Graph Screen Changes

"[1] 2 3 4" Changed to Area: "1 <->"

Place cursor over "<->" and use  or  Key to select option:
1, 2, 3, or 4

Multiplexer Screen Changes

Starting and Ending Channel: Was "0" is now "1"

Copyright © 2002
All rights reserved

0898-6058C2-1600(06/02).PMD

SOILMOISTURE EQUIPMENT CORP.

8

P.O. Box 30025 Santa Barbara, CA 93130

Phone: (805) 964-3525 Fax (805) 683-2189

E-mail: sales@soilmoisture.com WEB: <http://www.soilmoisture.com>

