

# 200-A

# OPERATING INSTRUCTIONS

## SOIL CORE SAMPLER

AUGUST 1989

The Cat. No. 200-A Soil Core Sampler is supplied with two (2) cutting tips; one is a blade type that has a thin projecting edge for making undisturbed soil cores in uniform, rock-free soils; the other is a wedge type cutting tip for use in harder soils. These tips are screwed in place on the end of the barrel and are removed and replaced by using the spanner wrench, which is provided. The round stem on the spanner wrench fits into the small hole in the side of the cutting tip. Threads on the cutting tip are right-hand threads. To remove the tip, turn the tip counterclockwise. The unit is shipped completely assembled with the blade type cutting tip on the sampler. The wedge tip is packed separately.

The brass retainer cylinders are in place in the barrel of the sampler. You will note that the notched ring is placed in the barrel first, with the notches toward the cutting edge of the sampler. After a sample has been taken, all of the retaining cylinders are pushed out of the barrel by the slotted core extractor that has two tangs which are used to engage the notches in the ring mentioned above. The slotted core extractor can be rotated inside the cutting edge to remove any soil in the vicinity of the notched ring, so that the tangs of the slotted core extractor can be engaged in the notched

ring. This method of removing the soil retaining cylinders prevents disturbance of the soil samples. You will also note that a 1 cm long cylinder is placed at either end of the core retaining cylinder. These 1 cm long cylinders are referred to as "guard rings." After a sample has been taken and the complete set of retainer cylinders moved from the sampler, the 1 cm long "guard rings" are removed from either end of the assembly to permit trimming of the soil cores. The sampler will accommodate two (2) each of the 3 cm long retaining cylinders, or one (1) each of the 6 cm long retaining cylinders. The sampler is driven into the soil by slipping the small diameter rod of the cylindrical hammer down into the handle of the sampler. This serves as guide for the hammer. The large end of the hammer is then lifted and dropped to drive the barrel of the sampler into the soil. If cores are to be taken below the surface depth, then the surface soil is removed to the depth desired by a shovel or soil auger, and then the sample is taken as indicated above. After the sampler has been removed from the soil, the barrel of the sampler holding the soil retaining cylinders is unscrewed from the cap so that the sample retaining cylinders can be pushed out with the core extractor.

### PARTS BREAKDOWN

ITEM NO.	PART NO.	DESCRIPTION	ITEM NO.	PART NO.	DESCRIPTION
1	201-6	BARREL	6	201-7	WEDGE CUTTING TIP
2	201-100	STEM ASSEMBLY	7	201-9	NOTCHED RETAINING RING
3	201-4	CAP	8	205	CYLINDER 1 CM. LONG
4	201-3	BARREL	9	207	CYLINDER 3 CM. LONG
5	201-1	BLADE CUTTING TIP	10	206	CYLINDER 6 CM. LONG

### SOILMOISTURE EQUIPMENT CORP.

P.O. Box 30025  
Santa Barbara, CA 93105  
U.S.A.

Telephone No. 805-964-3525 • Fax No. 805-683-2189

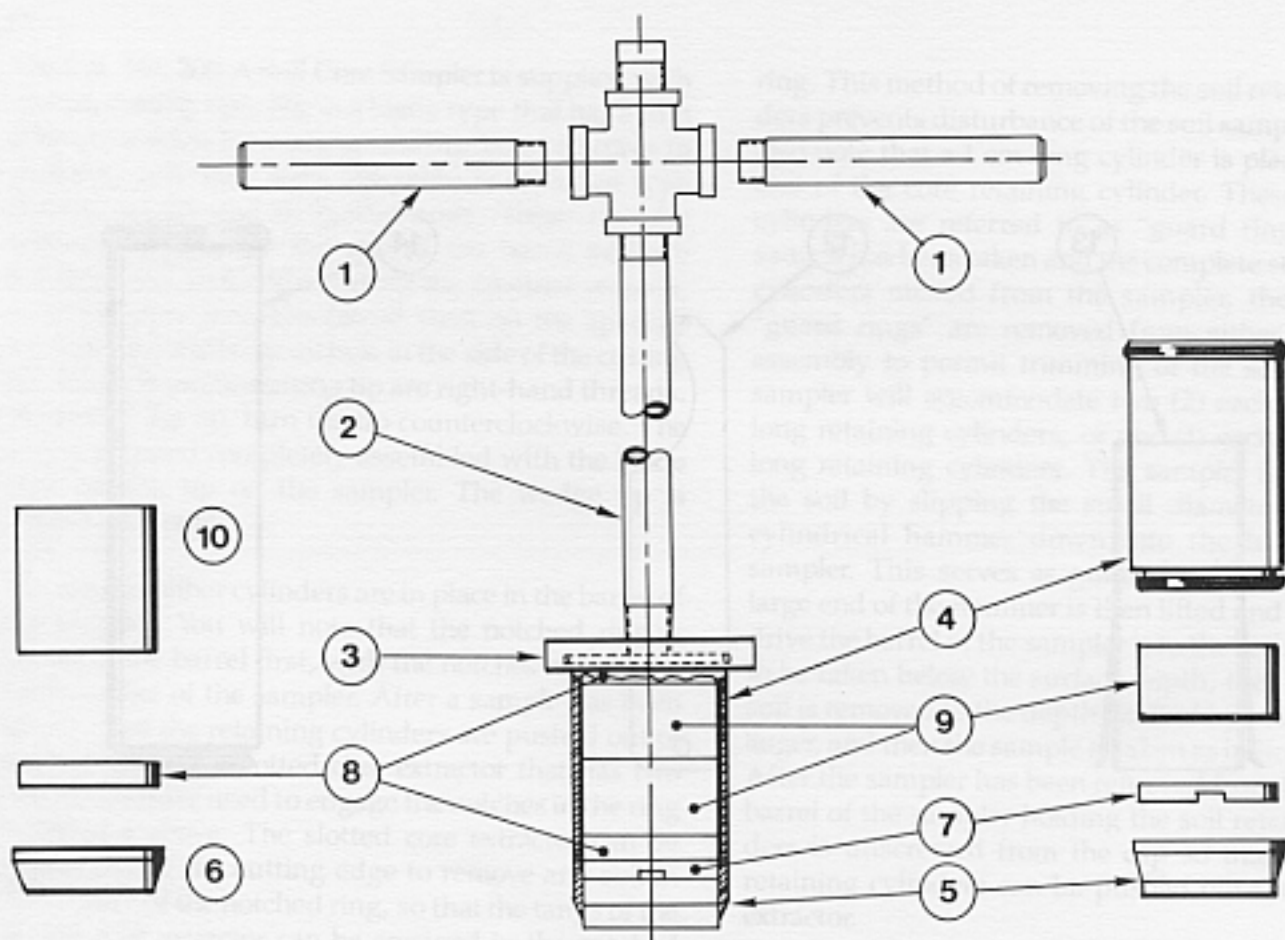


FOR PRICING, SEE CURRENT  
PRICE LIST.

# 200-A PARTS LIST

MODEL 200 SOIL CORE SAMPLER

AUGUST 1989



## PARTS BREAKDOWN

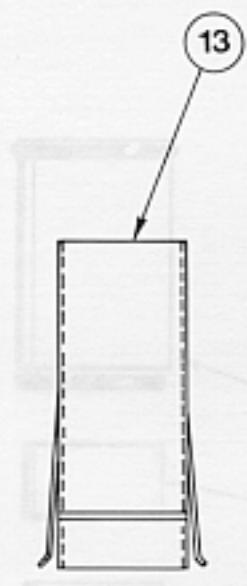
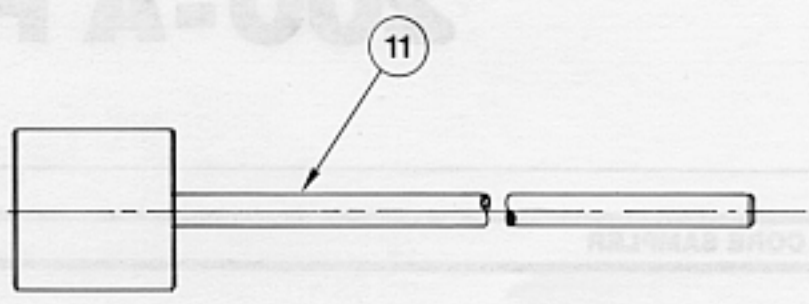
ITEM NO.	PART NO.	DESCRIPTION	ITEM NO.	PART NO.	DESCRIPTION
1	201-6	HANDLE	6	201-2	WEDGE CORING TIP
2	201-100	STEM ASSEMBLY	7	201-9	NOTCHED EXTRACTOR RING
3	201-4	CAP	8	208	CYLINDER 1 CM. LONG
4	201-3	BARREL	9	207	CYLINDER 3 CM. LONG
5	201-1	BLADE CORING TIP	10	206	CYLINDER 6 CM. LONG

### SOILMOISTURE EQUIPMENT CORP.

P.O. Box 30025  
Santa Barbara, CA 93105  
U.S.A.

Telephone No. 805-964-3525 • Fax No. 805-683-2189





PARTS BREAKDOWN (CONTINUED)

ITEM NO.	PART NO.	DESCRIPTION
11	202	DRIVE HAMMER
12	203	SPANNER WRENCH
13	204	SLOTTED CORE EXTRACTOR
14	201-003L08	BARREL, SPECIAL 8"

