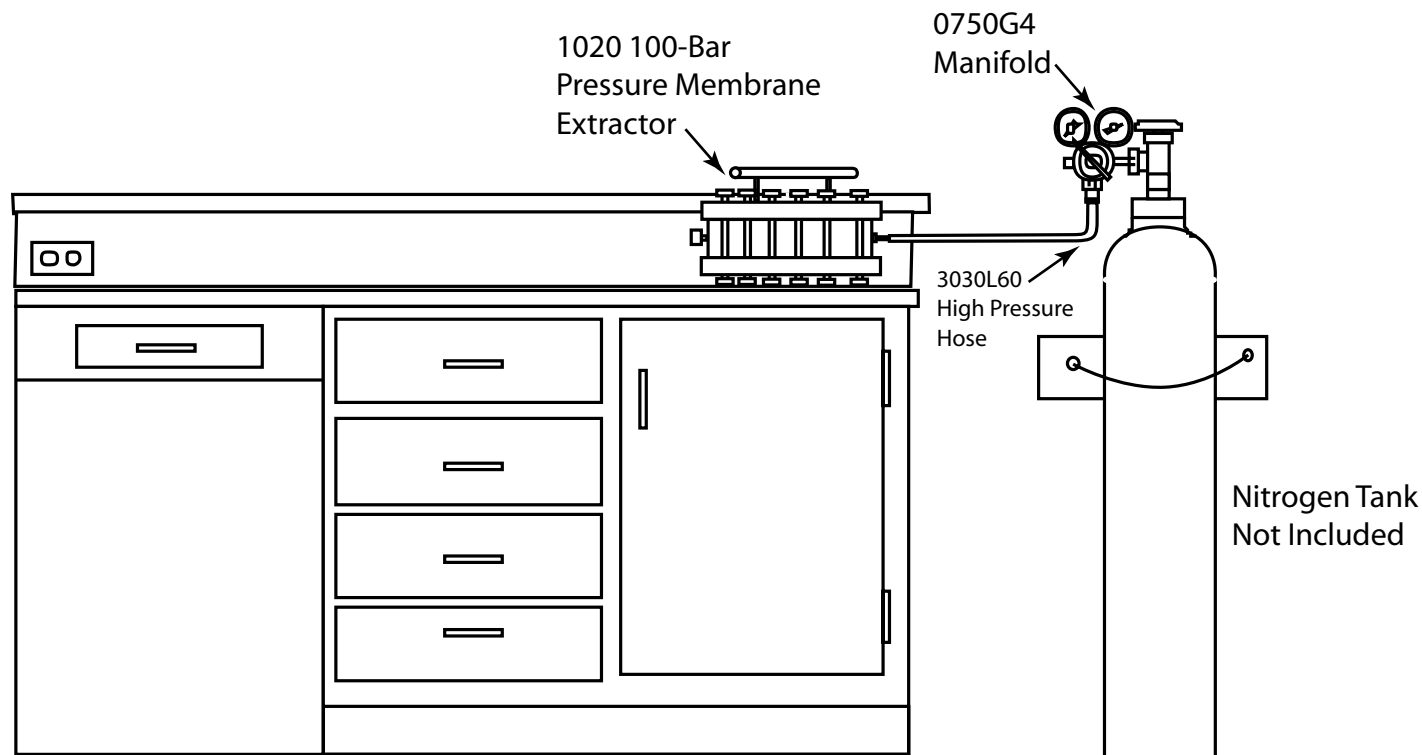


LAB 054 LABORATORY SET-UP

0750G4 Manifold with 1020 100 Bar Pressure Membrane Extractor

11/2001



0750G4 MANIFOLD INCORPORATES:

0780P1500 Test Gauge
0781P3000 Pressure Gauge
CGA580 Nitrogen Fitting
3030L60 High Pressure Hose

EQUIPMENT LIST WITH NORMAL ACCESSORIES:

1	1020	100 Bar Pressure Membrane Extractor
1	1066	High Pressure Electrical Leadthrough
1	1093	Soil Sample Retaining Rings, per dozen
6	1041D12	Cut Cellulose Membrane Discs, per dozen
1	0750G4	Manifold

0899-Lab054setup.p65 (11/2001)

SOILMOISTURE EQUIPMENT CORP.

P.O. Box 30025, Santa Barbara, California 93130 USA
Telephone: (805) 964-3525 - Fax: (805) 683-2189 - email: sales@soilmoisture.com
Website: <http://www.soilmoisture.com>

