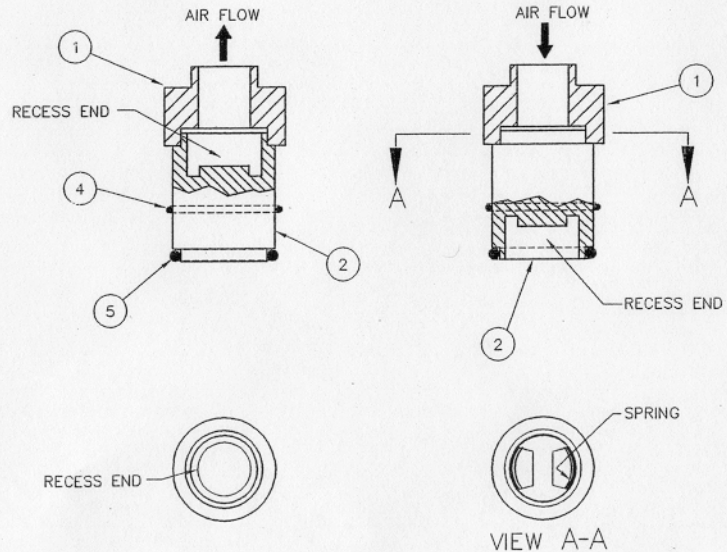
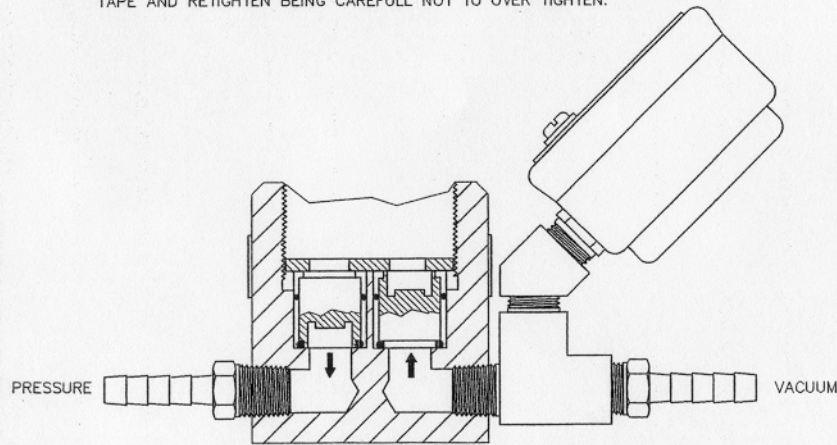


2006G1-007		PH	P	D	
START SERIAL NO.	REVISIONS/HISTORY				
	ZONE	REV	DESCRIPTION	DATE	APPROVED
		C	REVISED AND REDRAWN 6168	8-30-94	paul
		D	REVISED PER ECR 7530	04-26-01	GH

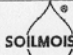
NOTES, UNLESS OTHERWISE SPECIFIED:

1. ARROWS INDICATE DIRECTION OF AIR FLOW. IF YOU BLOW OR SUCK ON THE CHECK VALVE YOU CAN CONFIRM DIRECTION OF AIR FLOW.
2. THE M802X013 ITEM 4 THE SMALLER THINNER O-RING IS A CENTRALIZE FOR THE CHECK VALVE AND IS PLACED AT THE CENTER.
3. USE 2006G1-010 ITEM 1 ONLY IF PRE 1995 UNIT WHICH HAS DEEPER CHECK VALVE BORES.
4. SIMPLY DROP M802X112 ITEM 5 THE THICKER LARGER "O"-RING INTO THE BOTTOM OF THE CHECK VALVE BORES HOLES.
5. OTHER REASONS WHY PUMP MAY NOT WORK CONFIRM NOTES 1-4 ARE NOT THE PROBLEM.
 - A). ONE OR BOTH CHECK VALVES IN BACKWARDS-FIX
 - B). ONE OR BOTH CHECK VALVES DIRTY OR REQUIRE REPLACEMENT-FLUSH WITH CLEAN WATER OR REPLACE.
 - C). LEATHER PLUNGER REQUIRES OILING OR REPLACING. UNSCREW BODY TUBE AND PLACE HAND OVER END, WHEN YOU PULL ON PLUNGER HANDLE NOTE IF YOU FEEL THE VACUUM IN YOUR HAND. USE DIFFUSION PUMP OIL (NO VOLATILES) OR SOILMOISTURE PART NUMBER 2006K3 LEATHER PLUNGER OIL OR REPLACEMENT LEATHER KIT 2006K2 (INCLUDES 2006K3).
 - D). VALVE BODY IS CRACKED-REPLACE WITH SOILMOISTURE PART NUMBER 2006G1-002.
 - E). FITTINGS ATTACHED TO VALVE BODY HAVE COME LOOSE. USE TEFLON TAPE AND RETIGHTEN BEING CAREFULL NOT TO OVER TIGHTEN.



5	M802X112	"O"-RING	2
4	M802X013	"O"-RING	2
3	0892-2006G1-007	INSTRUCTIONS	AR
2	MML051	CHECK VALVE	1
1	2006G1-010	CHECK VALVE ADAPTER	1
ITEM NO.	PART OR IDENTIFYING NO.	NOMENCLATURE OR DESCRIPTION	QTY
PARTS LIST			

CONFIDENTIAL INFORMATION: This drawing represents intellectual property of Soilmoisture Equipment Corp. This drawing may not be copied, referenced, transmitted digitized or photographed without written permission from Soilmoisture. This information is provided expressly for a specific use intended by Soilmoisture any other use shall hold the recipient responsible for the harm and damage caused by inappropriate use or distribution.

UNLESS OTHERWISE SPECIFIED DIMENSIONS ARE IN INCHES. TOLERANCES ARE:		DO NOT SCALE DRAWING INTERPRET DRAWING PER ANSI Y14.5M 1994.		 SOILMOISTURE EQUIPMENT CORP. SANTA BARBARA, CALIF. U.S.A.	
FRACTIONS: DECIMALS: ±1/16" X 0.030 ±1/32" X 0.010 ±0.005		APPROVALS DATE TITLE			
BREAK ALL SHARP EDGES .005-010		DESIGNER W Vega	DATE 05-02-01	CHECK VALVE SIZE DWG NO. 2006G1-007 SCALE NONE DATE OF LAST REV. SHEET 1 OF 1	
CONCENTRICITY @ .005 FINISH 125 ANGLES ± 1-0'		CHECKED			
		DESIGNER		REV C	D
		APPROVED			

DRAWING-NO. 1 D